

## Dust collector SFR-08

Rectangular type

### 1. Features

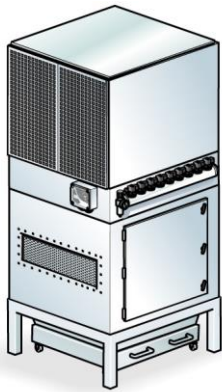
This unit is manufactured from sturdy steel sheets. The individual housing parts are assembled from bended metal segments that are bolted together and sealed with silicone-free seals.

#### Characteristics

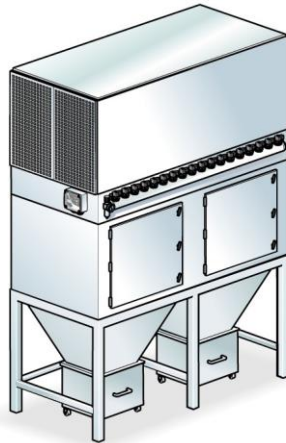
- Compact, space-saving design
- Easy to maintain
- Low noise level
- Efficient, energy-saving cleaning with compressed air by means of Filtration Group rotating wing
- Volume flow range 5400 to 26900 m<sup>3</sup>/h
- Filter surfaces 135 to 360 m<sup>2</sup>
- Cartridges changed on the dirt air side
- Worldwide distribution



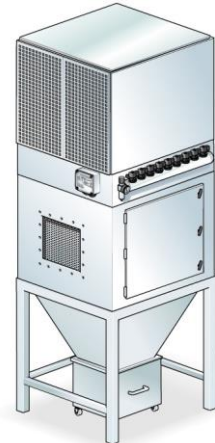
## 2. Versions



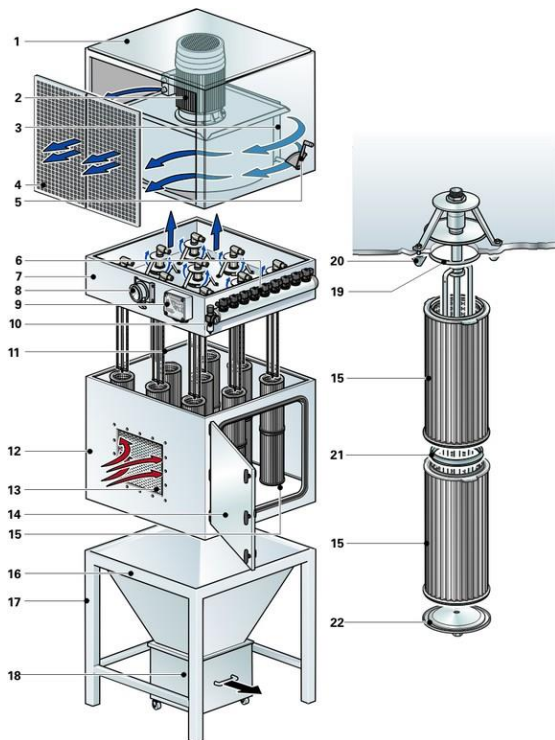
S3, with dust drawer



S1, with dust bucket



## 3. Modules and accessories



- 1 Acoustic hood
- 2 Fan
- 3 Lamella valve for volume flow (optional)
- 4 Blow-out grid
- 5 Lever for lamella valve for volume flow (optional)
- 6 Pressure vessel with membrane valves
- 7 Clean air section
- 8 Differential pressure gauge (optional)
- 9 Filter controller
- 10 Pressure reducer
- 11 Cleaning unit (rotating wing)
- 12 Dirt air section
- 13 Dirt air inlet with baffle plate
- 14 Maintenance door
- 15 Cartridge
- 16 Dust collector hopper
- 17 Rack
- 18 Dust bucket
- 19 Centre ring
- 20 Holding bolt
- 21 Double centre ring
- 22 Reusable end cap

## 4. Funktional description

The dust-laden air flows into the side of the filter housing (12). The perforated baffle plate (13) in the inlet region assures a uniform flow distribution and enables coarse particles to be pre-separated. As it flows through the cartridge (15), fine dust is separated on the surface. The filter cake is cleaned off at fixed intervals, depending on the dust load and the filter surface load. The detached dust drops down through the hopper (16) and is collected in the bucket (18). The cleaned air flows into the clean air section (7) and is discharged via the blow-out grid (4). The fully automatic compressed air cleaning system comprises a pressure vessel with membrane valves (6), an electronic  $\Delta p$  controller (9) and the cleaning units (11).

## 5. Technical Data

### Dust collector

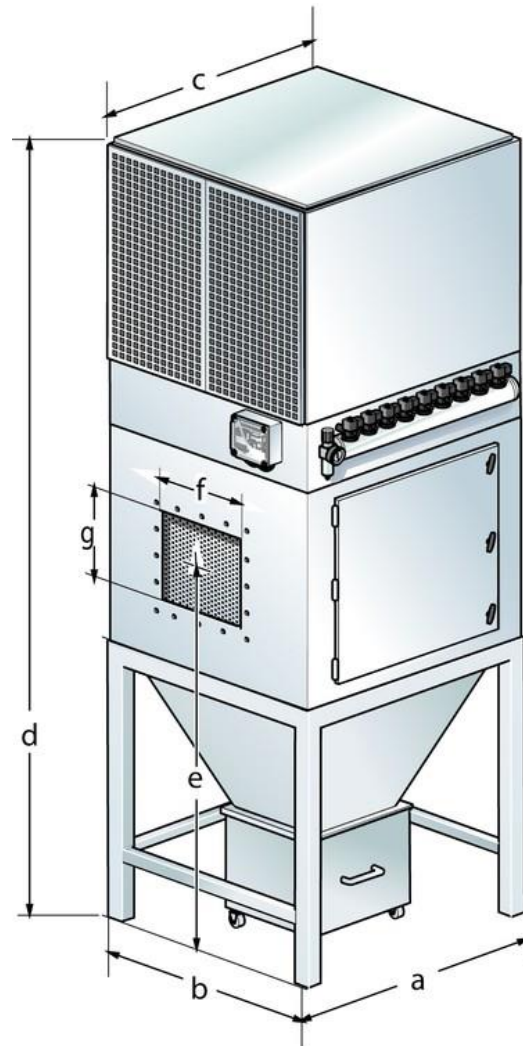
<b>Housing material:</b>	1.0037 (DIN EN 10025)
<b>Surface protection:</b>	EPS powder coating, RAL 7035 light grey
<b>Max. operating pressure:</b>	- 50 mbar
<b>Max. operating temperature:</b>	70 °C without acoustic hood 40 °C with acoustic hood
<b>Dust collector capacity*:</b>	Type S1: 50 l Type S3: 200 l
<b>Maintenance cover (doors):</b>	Sizes 016x16 and 020x16: 1 St. Sizes 024x16 and 029x16: 2 St.
<b>Cartridges</b>	Type 852 908 Ti ...** (328 NZ data sheet)

### Cleaning

<b>Cleaning system:</b>	Filtration Group rotating wing
<b>Medium:</b>	Oil, dust and condensate-free compressed air at operating temperature
<b>Compressed air connection:</b>	G½ female
<b>Max. air pressure:</b>	4 bar
<b>Compressed air consumption*:</b>	approx. 60 l to 70 l (fad.) per cleaning cycle
<b>Pulse duration:</b>	1.5 s
<b>Controller:</b>	Δp controlled (MFS-05 dp data sheet)
<b>Valves:</b>	Electric membrane valves

\* According to version

\*\* Filter media depending on application



## 6. Dimensions

Dust collector						Dimensions [mm]					
Type designation	Volume flow* [m³/h]	No. of cartridges	Size	Type of construction	Weight [kg]	a	b	c	d	e	f x g
SFR-08 018 016x16 S1	5400 -	18	016x16	S1	1630	1615	1615	1600	4567	2130	450x450
SFR-08 018 016x16 S3	14400			S3	1470				3786	1349	450x450
SFR-08 024 020x16 S1	7200 -	24	020x16	S1	2090	2035	1615	2020	4567	2130	600x600
SFR-08 024 020x16 S3	18800			S3	1940				3786	1349	600x600
SFR-08 030 024x16 S1	9000 -	30	024x16	S1	2410	2455	1615	2440	4567	2130	2x450x450
SFR-08 030 024x16 S3	22200			S3	2180				3786	1349	
SFR-08 036 029x16 S1	10800 -	36	029x16	S1	2780	2875	1615	2860	4567	2130	
SFR-08 036 029x16 S3	26900			S3	2520				3786	1349	

\* These values may vary depending on the nature of the dust, the composition of the air and the filter media.

Technical data is subject to change without notice!

## 7. Ordering example

Basic unit				Optional equipment	
Type	No. of cartridges	Size	Version	Dust bucket	Dust drawer
SFR-08	018	016x16	S1		
			S3		

## 8. Design

Please contact us for detailed technical information, any open questions and for general expert advice. Completion of the relevant questionnaire would facilitate in the coordination of all important parameters.

Comprehensive documentation on our product range, cleaning units and elements can be provided. For more information about installation and operation, please refer to our Instruction Manual.

Filtration Group GmbH  
Schleifbachweg 45  
D-74613 Öhringen  
Phone +49 7941 6466-0  
Fax +49 7941 6466-429  
fm.de.sales@filtrationgroup.com  
www.fluid.filtrationgroup.com  
76173405.04/2019